



# MODEL PCLP

## LOW PROFILE CEILING MOUNT BATHROOM FANS

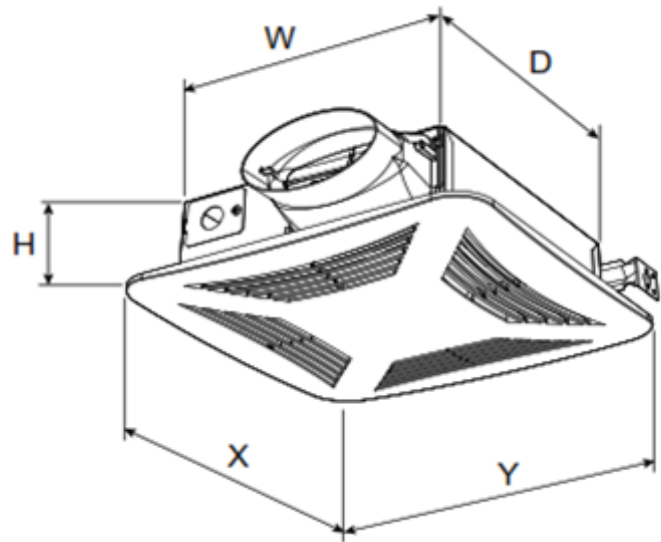
### Features & Construction

- Low profile housing design
- Suitable for wall and ceiling installations
- Quiet operation 1.2 to 2.0 Sones
- Totally enclosed condenser motor for long life
- Motor rated for 30,000 hours continuous on
- Built-in backdraft damper
- Robust steel housing
- Attractive, sturdy grille
- ETL Listed
- ENERGY STAR® qualified
- HVI Certified
- 5-year warranty



### Performance and Dimensions

	PCLP80	PCLP100
CFM @ 0.1/0.25" SP	80/62	100/86
Sones	1.2	2
Watts	25.9	24.6
Energy Efficiency (CFMs/Watts)	3	4
Amps	.23	.21
ENERGY STAR® Qualified	Yes	Yes
Duct Connector Diameter (in)	4" Oval*	
Grille Size (in)	10-1/4" x 10-1/4" x 3-3/4"	
Dimensions (w x d x h) (in)	2.8	
Bathroom Size (up to ft <sup>2</sup> )	80	100



Duct Dia.	Dimensions (in inches)					Weight (lbs)
	X	Y	W	D	H	
4" (Oval)	13	14	10-1/4	10-1/4	3-3/4	7

\* Part PCLP4-3 4" Oval to 3" round adapter available at no charge



## PCLP - LOW PROFILE PREMIUM CHOICE SERIES LED LIGHT KITS

### LED Grille Lights

S&P offers Premium Choice Series Light Kits with LED lights for the PCLP models so you can choose a fan with lights now or later. This kit (PCLPLEDK) fits the PCLP80 and 100. The LED lighted grilles come standard with an 11 Watt LED light and a 2 Watt LED night light setting.

## PCLP - LOW PROFILE PREMIUM CHOICE SERIES CONTROLS

### Humidity Sensor (PCLPHS)

Using a PCLP fan with S&P’s humidity sensing control is a worry free solution to fighting excess humidity and possible mold problems. The sensor easily mounts inside the fan housing utilizing 1 pre-drilled hole and a standard receptacle. With the sensor at ceiling level it detects rapid increases in moisture where steam and humidity naturally rise, and automatically turns on the fan. The humidity sensor features an automatic shut off to save worry and money. The humidity sensor is the perfect solution to “fit & forget” the bath fan, especially in high traffic bathrooms, kids’ bathrooms, or households on-the-go that must leave the house without properly venting humidity. S&P’s PCLP fan with optional Humidity Sensor helps prevent cosmetic and possible mold issues associated with excess moisture.

- Detects rapid rise in humidity
- Simple plug into receptacle in fan housing
- Auto-shut off timer
- Accessible sensitivity adjustment
- Humidity is sensed at the ceiling
- Can be installed with new fan or as an add-on later if needed

### Speed Control (PCLPSC)

Using a PCLP fan with S&P’s speed control is a simple solution to for intermittent and continuous ventilation. The sensor easily mounts inside the fan housing utilizing 1 pre-drilled hole and a standard receptacle.

- Simple plug into receptacle in fan housing
- Accessible speed adjustment
- Can be installed with new fan or as an add-on later if needed
- Allows for adjustable continuous speed for ASHRAE 62.2
- High speed override

## PCLP CONTRACTOR PACKS

For simple installation, PCLP80 and PCLP100 are available as 4 packs with the fan housings ready for installation first, then after the drywall and painting are complete the motor and grilles are available to finish the job. The housing kit includes the housing and hanger bars, while the finish kit includes the motor plate, motor, wheel and grille.

Pack Part #	Description
PCLPH	PCLP Contractor Pack Housings (4 pk)
PCLP80F	PCLP80 Contractor Pack Motor and Grille (4 pack)
PCLP100F	PCLP100 Contractor Pack Motor and Grille (4 pack)